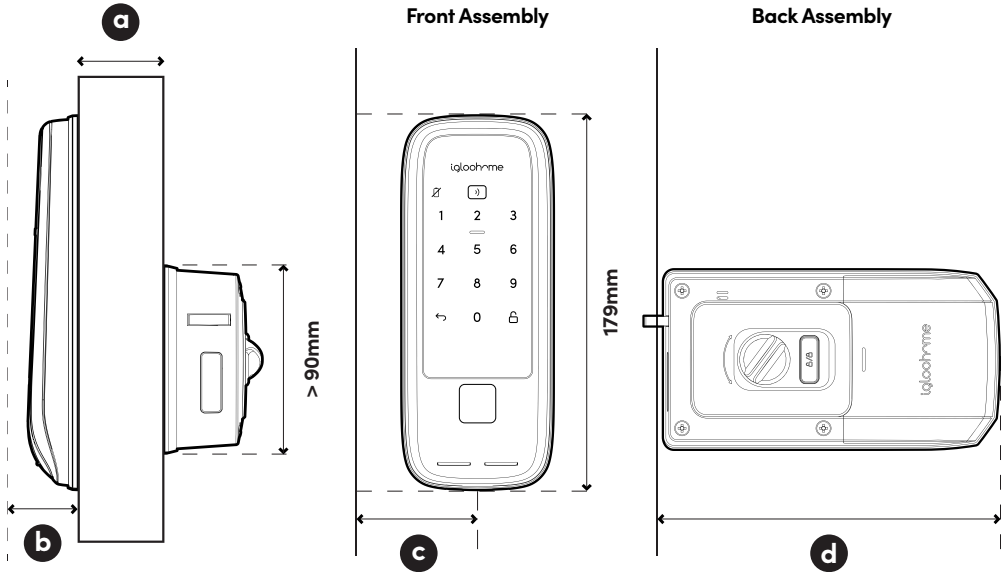


Compatibility Guide

Requirements

Door Thickness

Clearance



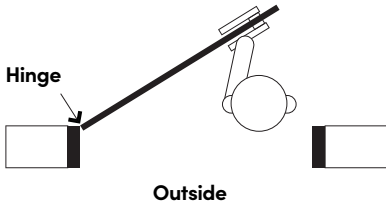
Measurements

- a** Supported Wooden Door Thickness : 25 - 60 mm
- b** $> 30\text{mm}$
- c** Backset: 66mm (for double panel doors)
- d** $> 166\text{mm}$ (for double panel doors)

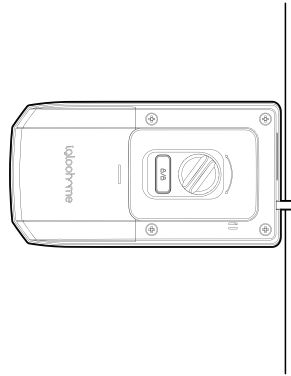
Checking Lock Orientation

Back Assembly Orientation

Left Hand Installation

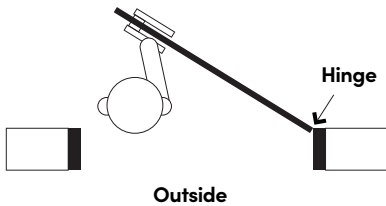


'LH' Lock Assembly Orientation

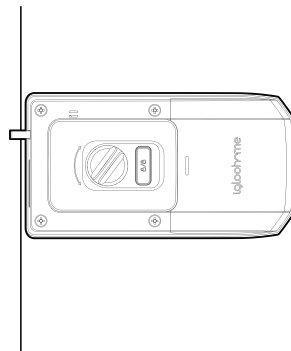


** Hinge is on your left.*

Right Hand Installation



'RH' Lock Assembly Orientation

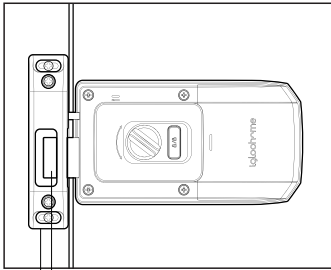


** Hinge is on your right.*

For Double Panel Doors

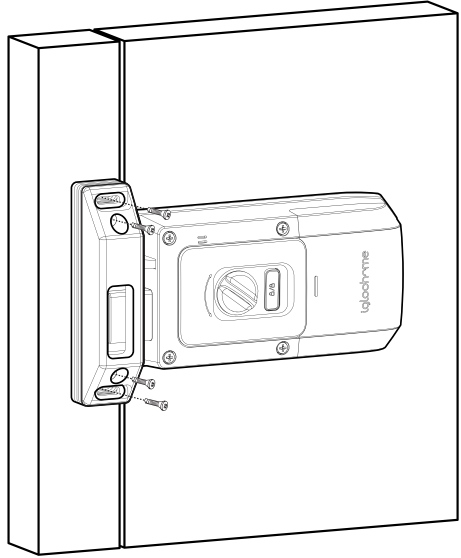
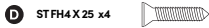
(Backset distance 66mm)

Front View of the Installation



Bolt Tongue
Striker

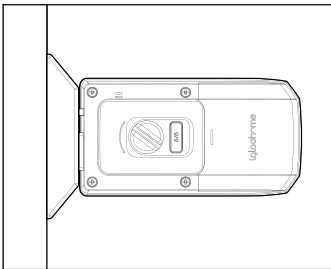
Screws



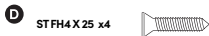
For Single Panel Doors

(Backset distance 90mm)

Front View of the Installation



Screws



Note: Backset needs to be $> 90\text{mm}$ to fit striker in perpendicular position.

